

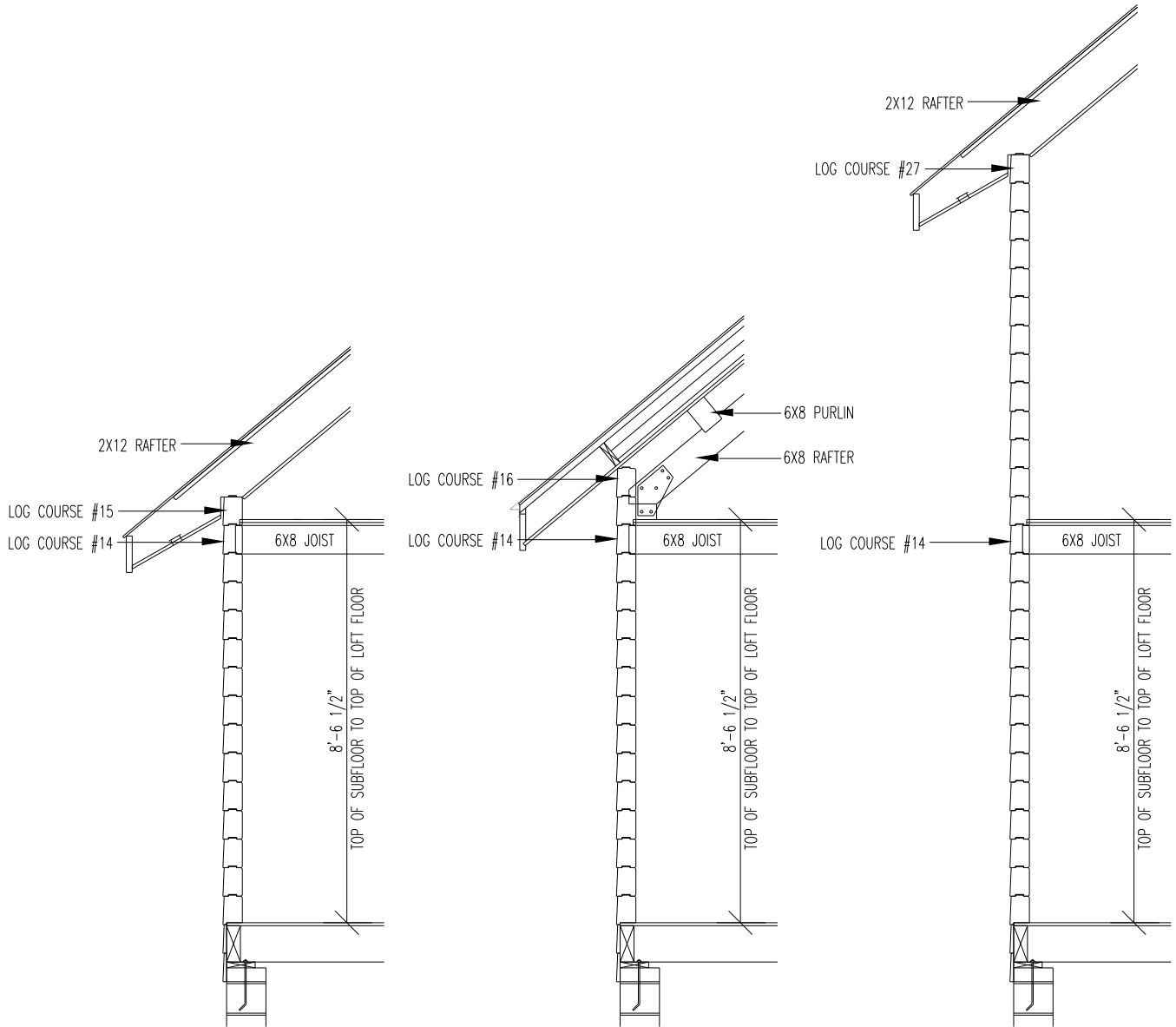


MINIMUM LOG ROWS TO SQUARE

TYPICAL LOG COURSE TO SQUARE FOR EACH ROOF SYSTEM PER LOG PROFILE

LOG PROFILE	ROOF TYPE	MINIMUM LOG ROWS TO SQUARE	TYPICAL LOCATION FOR LOFT JOISTS AND EXPOSED BEAMS
6X8 D-Profile Single Bevel Double Bevel Single Notch Double Notch V-Groove	2x Rafter	15	14
	Beam and Purlin	16	14
	2-story	27	14
	6x8 Rafter	15	14
	Round Rafter	15	14
	Flat Truss	14	14
8x8 D-Profile Double Round Single Notch Double Notch V-Groove	2x Rafter	15	14
	Beam and Purlin	16	14
	2-story	27	14
	6x8 Rafter	15	14
	Round Rafter	15	14
	Flat Truss	14	14
8x6 D-Profile Double Round	2x Rafter	22	19
	Beam and Purlin	22	19
	2-story	38	19
	6x8 Rafter	22	19
	Round Rafter	22	19
	Flat Truss	19	19
6x12 Single Notch Double Notch V-Groove	2x Rafter	10	19
	Beam and Purlin	10	19
	2-story	18	19
	6x8 Rafter	10	19
	Round Rafter	10	19
	Flat Truss	9	19
8x12 D-Profile Single Notch Double Notch V-Groove	2x Rafter	10	19
	Beam and Purlin	10	19
	2-story	18	19
	6x8 Rafter	10	19
	Round Rafter	10	19
	Flat Truss	9	19

6x8 and 8x8 LOG PROFILES



TYPICAL 2X12 RAFTER ROOF SYSTEM

(ILLUSTRATED WITH A 6x8 D LOG PROFILE AND 6x8 LOFT JOISTS)

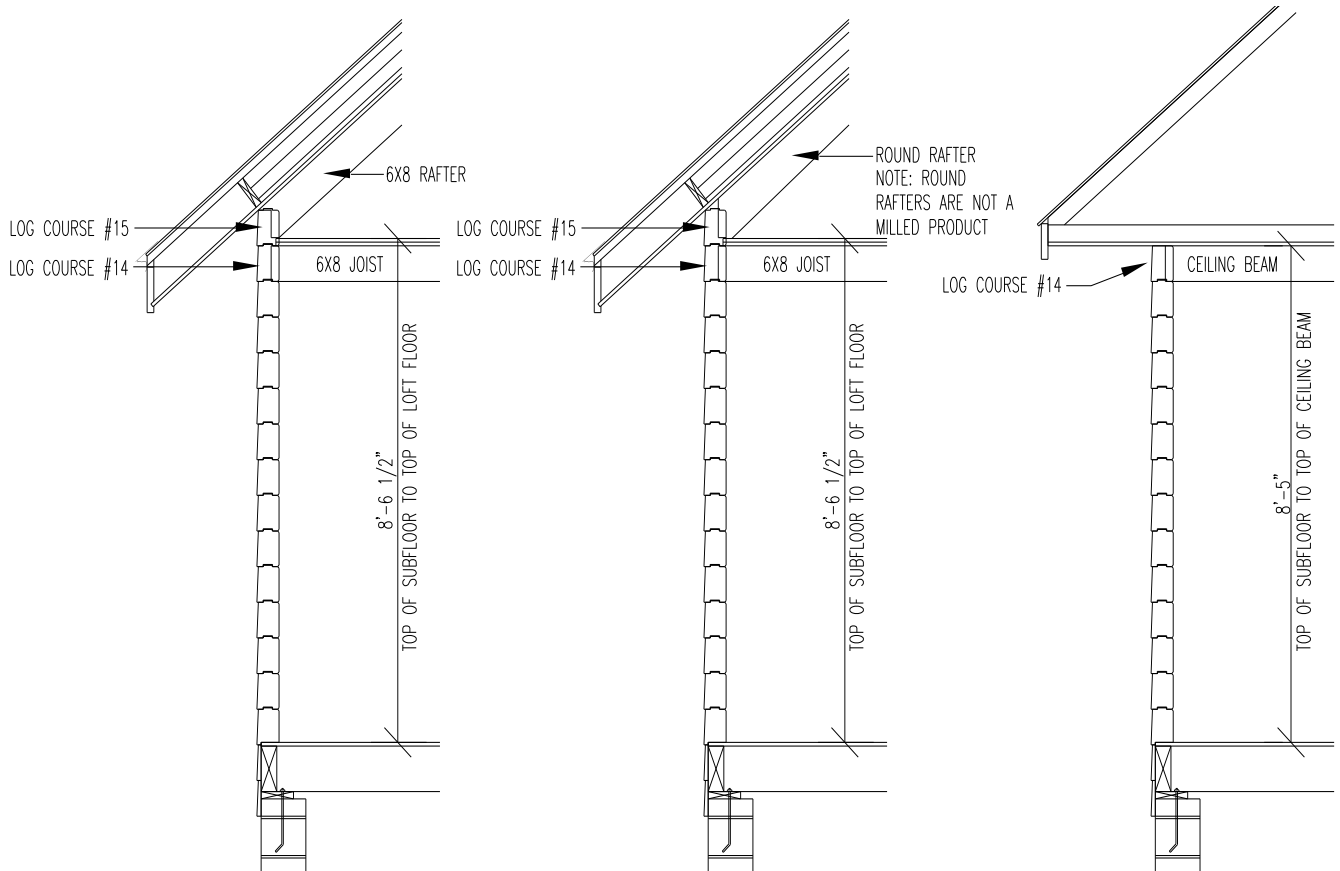
TYPICAL BEAM & PURLIN ROOF SYSTEM

(ILLUSTRATED WITH A 6x8 D LOG PROFILE AND 6x8 LOFT JOISTS)

TYPICAL 2 - STORY

(ILLUSTRATED WITH A 2X12 RAFTER ROOF SYSTEM, 6x8 D LOG PROFILE, AND 6x8 LOFT JOISTS)

6x8 and 8x8 LOG PROFILES



**TYPICAL 6X8 RAFTER
ROOF SYSTEM**

(ILLUSTRATED WITH A 6x8 D LOG PROFILE
AND 6x8 LOFT JOISTS)

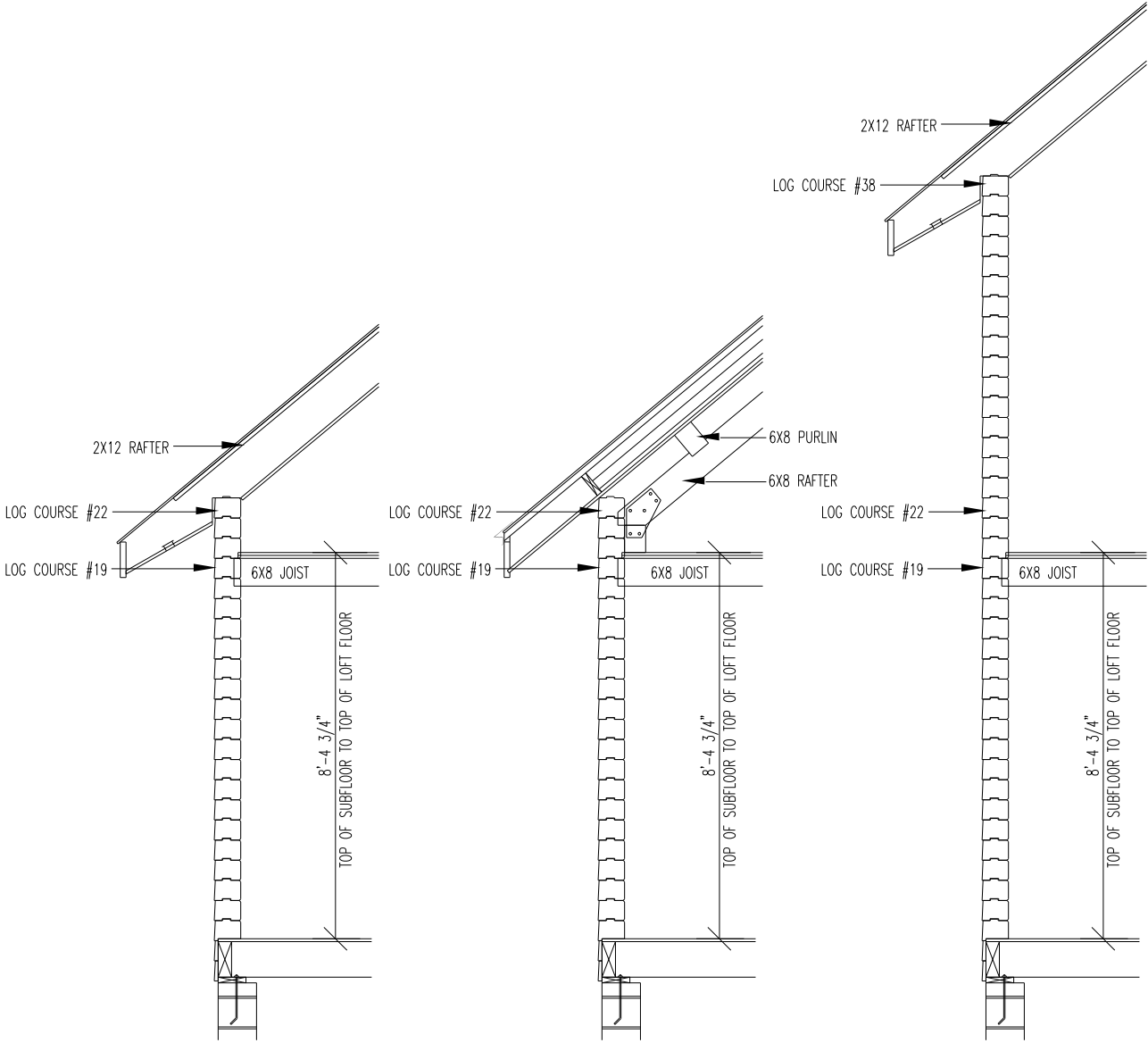
**TYPICAL ROUND RAFTER
ROOF SYSTEM**

(ILLUSTRATED WITH A 6x8 D LOG PROFILE
AND 6x8 LOFT JOISTS)

**TYPICAL FLAT TRUSS
ROOF SYSTEM**

(ILLUSTRATED WITH A 6x8 D LOG PROFILE
AND 6x8 CEILING BEAMS)

8X6 LOG PROFILES

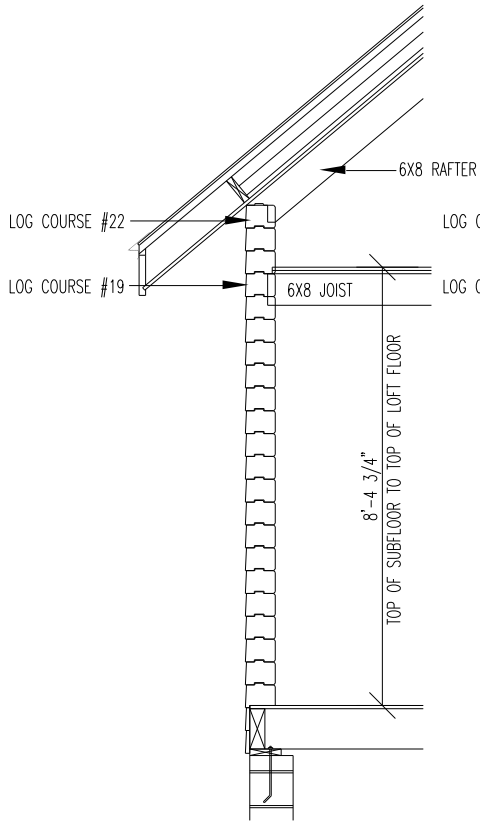


**TYPICAL 2X12 RAFTER
ROOF ROOF SYSTEM**
(ILLUSTRATED WITH A 8x6 D LOG PROFILE
AND 6x8 LOFT JOISTS)

**TYPICAL BEAM & PURLIN
ROOF SYSTEM**
(ILLUSTRATED WITH A 8x6 D LOG PROFILE
AND 6x8 LOFT JOISTS)

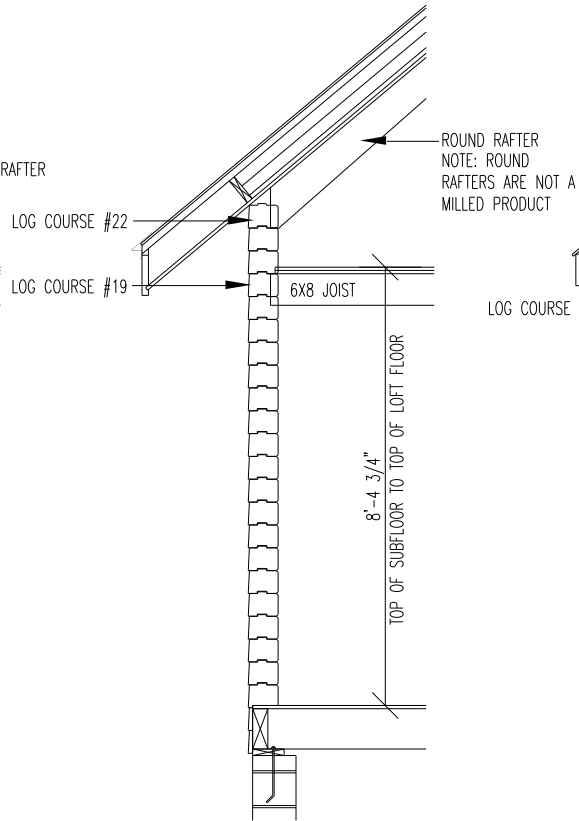
TYPICAL 2 - STORY
(ILLUSTRATED WITH A 2X12 RAFTER ROOF SYSTEM,
8x6 D LOG PROFILE, AND 6x8 LOFT JOISTS)

8X6 LOG PROFILES



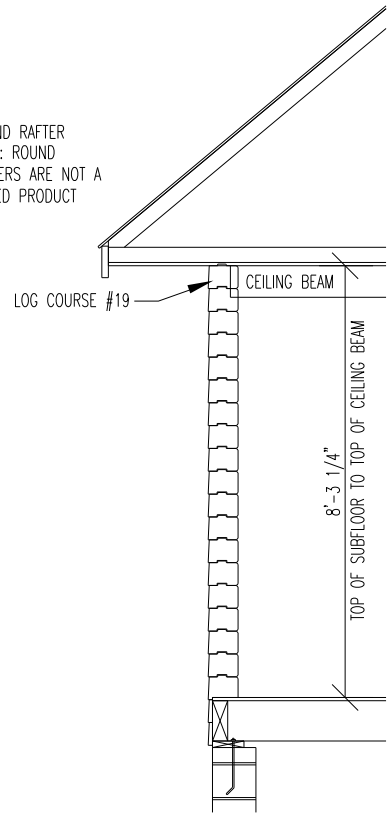
TYPICAL 6x8 RAFTER ROOF SYSTEM

(ILLUSTRATED WITH A 8x6 D LOG PROFILE
AND 6x8 LOFT JOISTS)



TYPICAL ROUND RAFTER ROOF SYSTEM

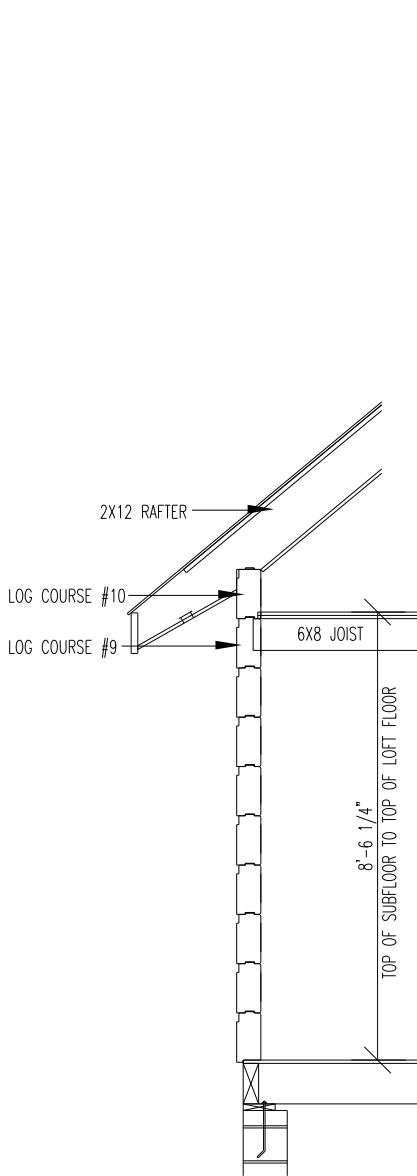
(ILLUSTRATED WITH A 8x6 D LOG PROFILE
AND 6x8 LOFT JOISTS)



TYPICAL FLAT TRUSS ROOF SYSTEM

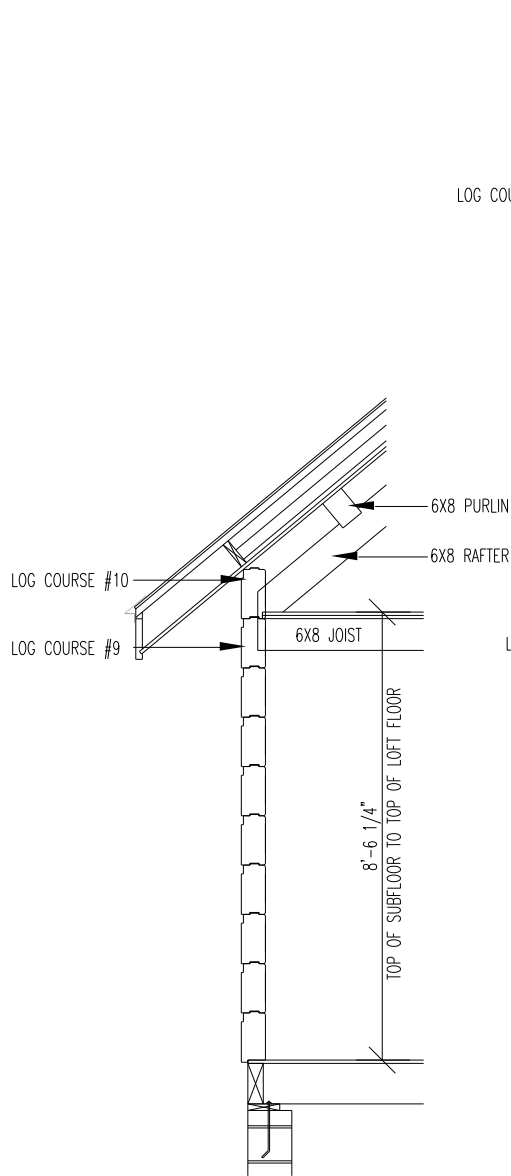
(ILLUSTRATED WITH A 8x6 D LOG PROFILE
AND 6x8 CEILING BEAMS)

6x12 LOG PROFILES



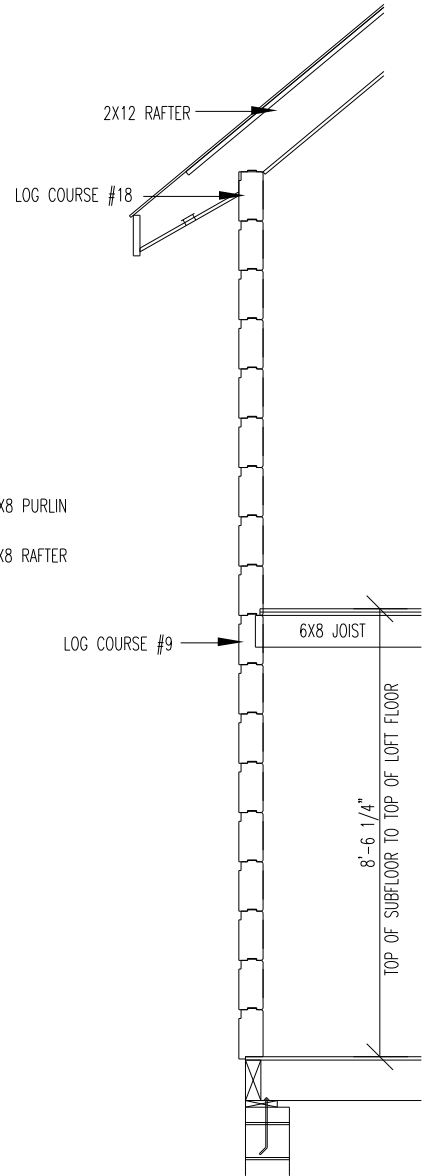
**TYPICAL 2X12 RAFTER
ROOF SYSTEM**

(ILLUSTRATED WITH A 6x12 SINGLE NOTCH
LOG PROFILE AND 6x8 LOFT JOISTS)



**TYPICAL BEAM & PURLIN
ROOF SYSTEM**

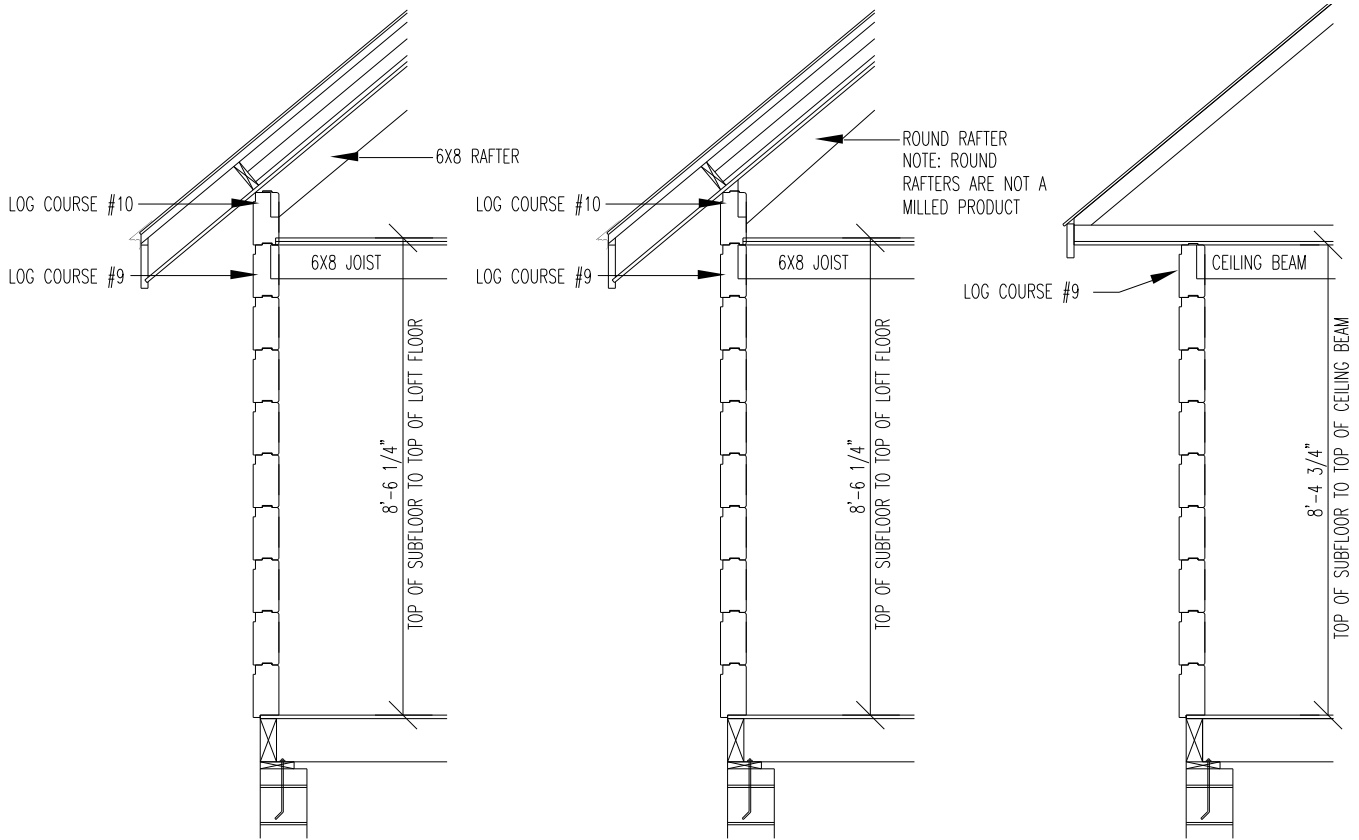
(ILLUSTRATED WITH A 6x12 SINGLE NOTCH
LOG PROFILE AND 6x8 LOFT JOISTS)



TYPICAL 2 - STORY

(ILLUSTRATED WITH A 2X12 RAFTER ROOF
SYSTEM, 6x12 SINGLE NOTCH LOG PROFILE,
AND 6x8 LOFT JOISTS)

6x12 LOG PROFILES



TYPICAL 6X8 RAFTER ROOF SYSTEM

(ILLUSTRATED WITH A 6x12 SINGLE NOTCH LOG PROFILE AND 6x8 LOFT JOISTS)

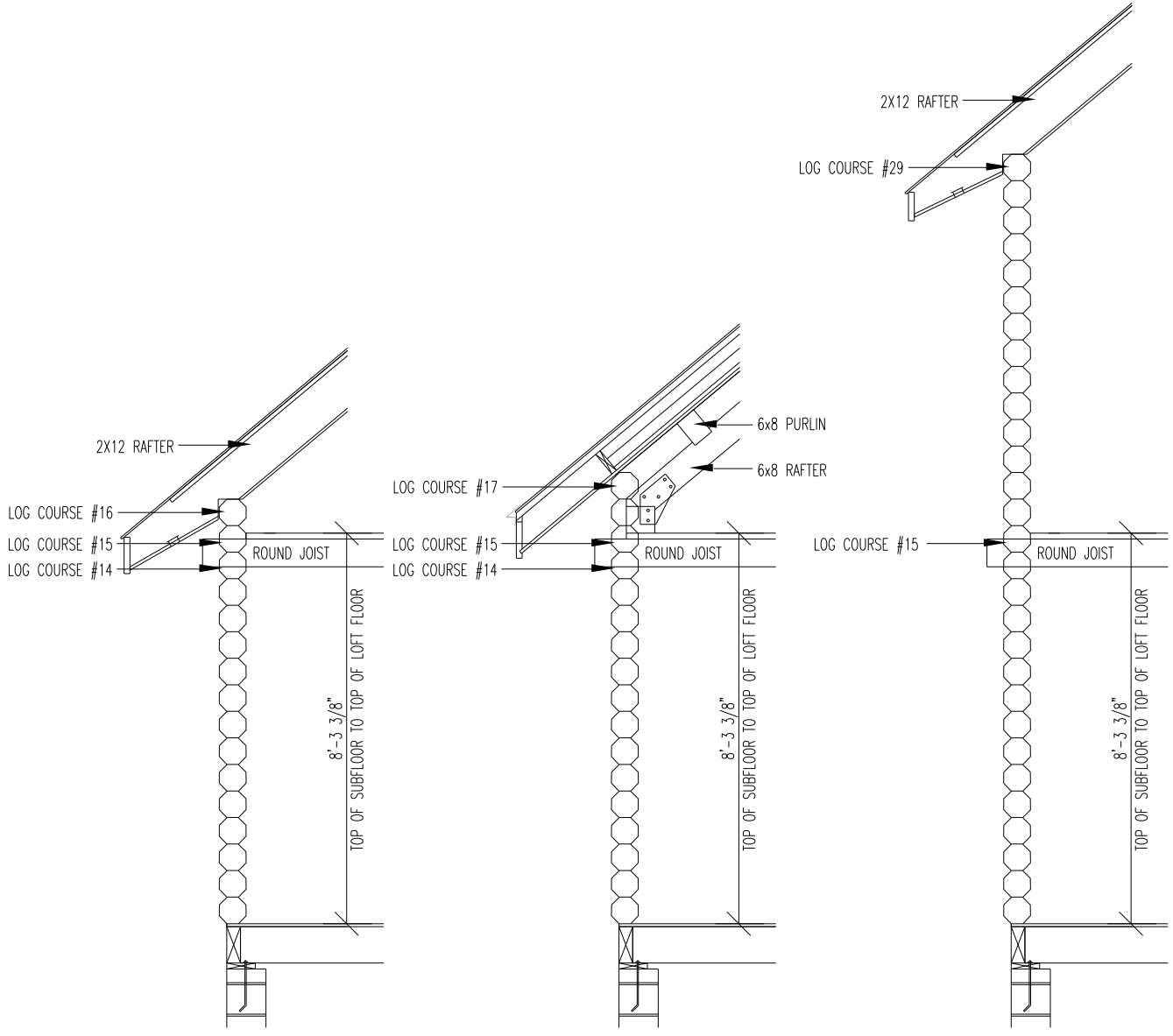
TYPICAL ROUND RAFTER ROOF SYSTEM

(ILLUSTRATED WITH A 6x12 SINGLE NOTCH LOG PROFILE AND 6x8 LOFT JOISTS)

TYPICAL FLAT TRUSS ROOF SYSTEM

(ILLUSTRATED WITH A 6x12 SINGLE NOTCH LOG PROFILE AND 6x8 CEILING BEAMS)

8" ROUND LOG PROFILES



**TYPICAL 2X12 RAFTER
ROOF ROOF SYSTEM**

(ILLUSTRATED WITH AN 8" ROUND LOG PROFILE
AND 8" ROUND LOFT JOISTS)

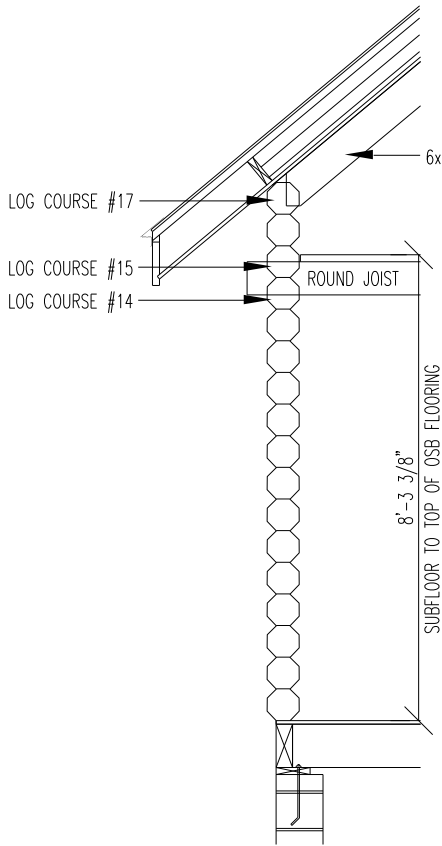
**TYPICAL BEAM & PURLIN
ROOF SYSTEM**

(ILLUSTRATED WITH AN 8" ROUND LOG PROFILE
AND 8" ROUND LOFT JOISTS)

TYPICAL 2 - STORY

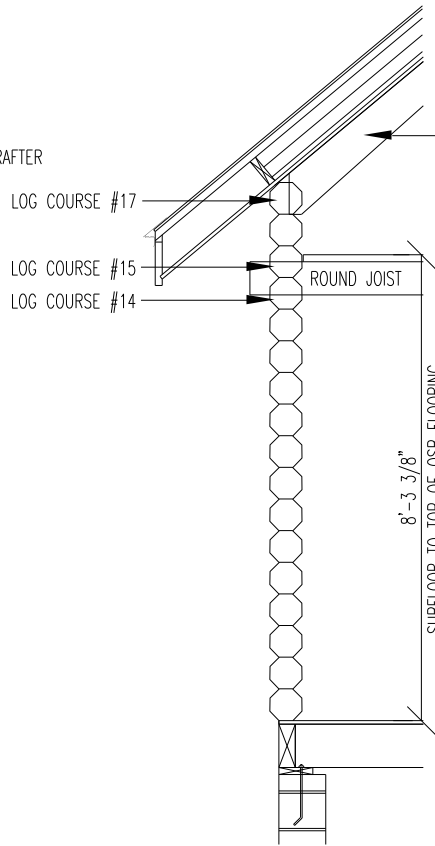
(ILLUSTRATED WITH A 2x12 RAFTER ROOF
SYSTEM, 8" ROUND LOG PROFILE, AND 8"
ROUND LOFT JOISTS)

8" ROUND LOG PROFILES



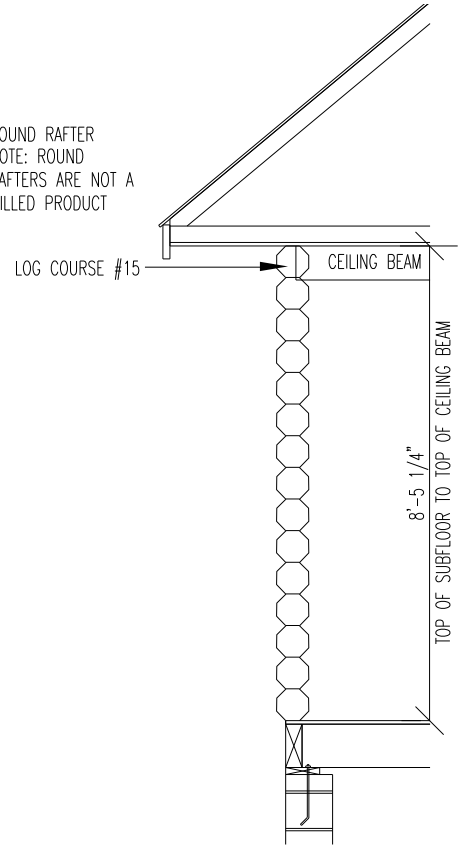
**TYPICAL 6X8 RAFTER
ROOF SYSTEM**

(ILLUSTRATED WITH AN 8" ROUND LOG PROFILE
AND 8" ROUND LOFT JOISTS)



**TYPICAL ROUND RAFTER
ROOF SYSTEM**

(ILLUSTRATED WITH AN 8" ROUND LOG PROFILE
AND 8" ROUND LOFT JOISTS)



**TYPICAL FLAT TRUSS
ROOF SYSTEM**

(ILLUSTRATED WITH AN 8" ROUND LOG PROFILE
AND 8" ROUND CEILING BEAMS)

ROUND RAFTER
NOTE: ROUND
RAFTERS ARE NOT A
MILLED PRODUCT