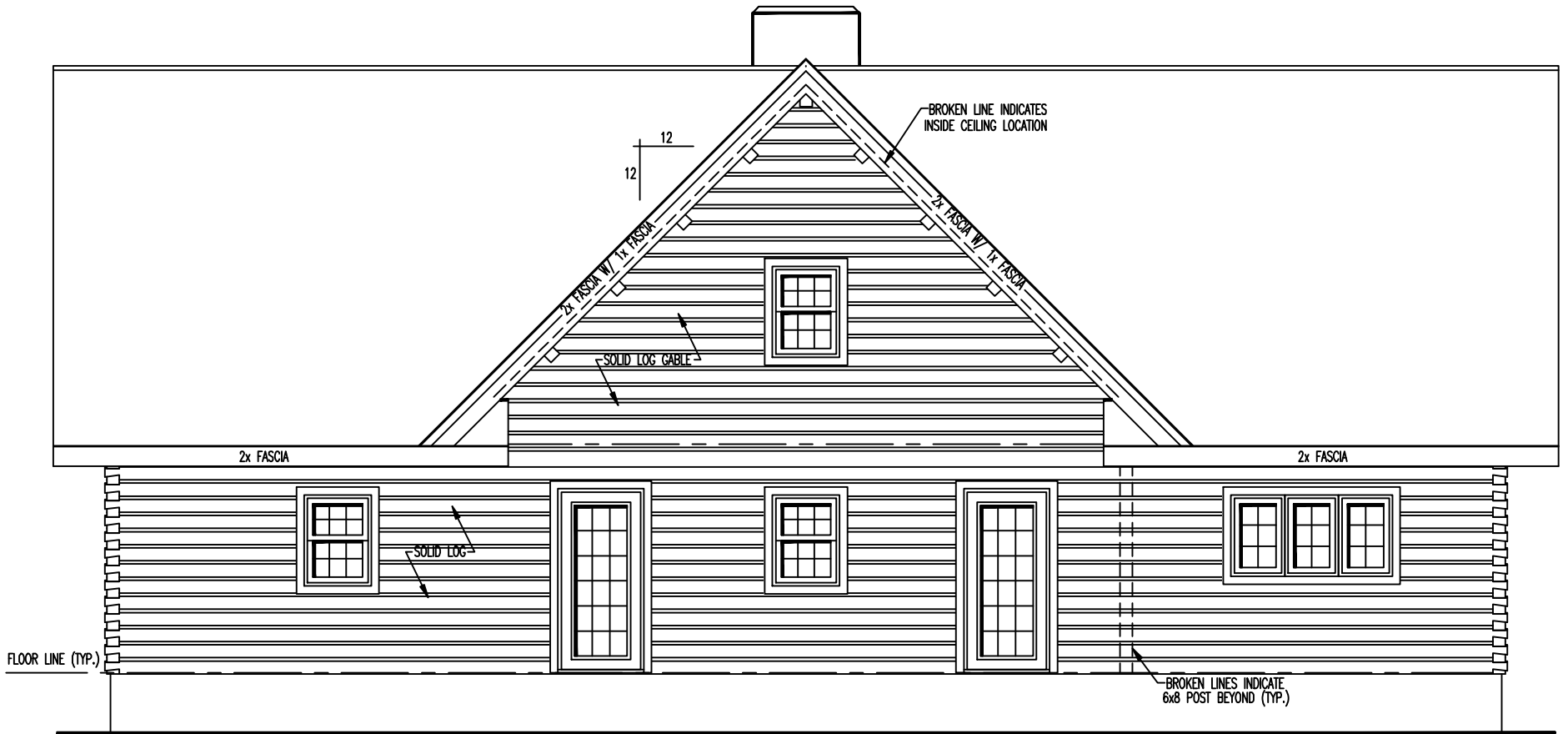
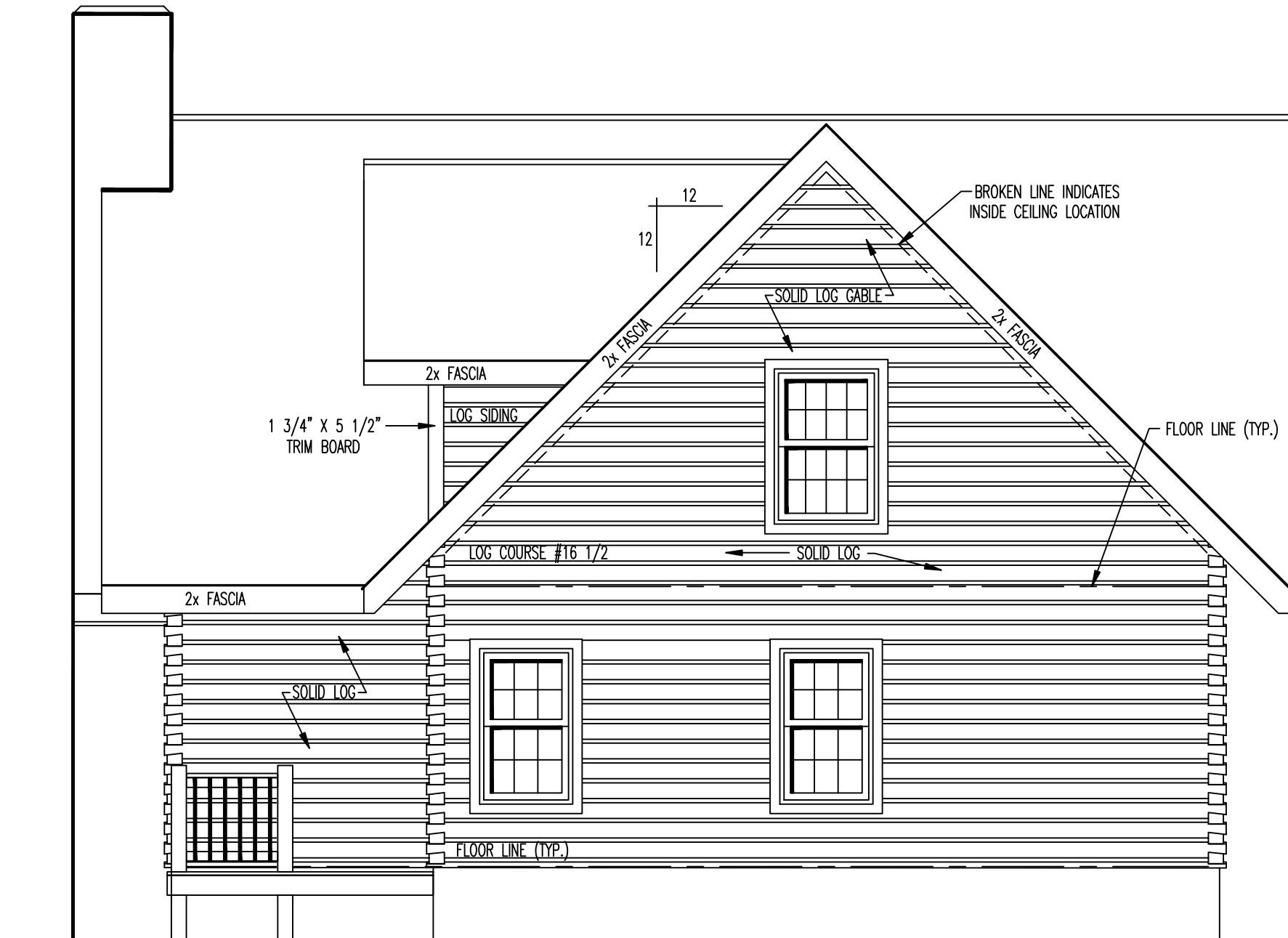


*** NOTE : ***
 WINDOWS IN GABLE DORMERS
 SIT 3"-3" OFF OF THE FLOOR LINE.

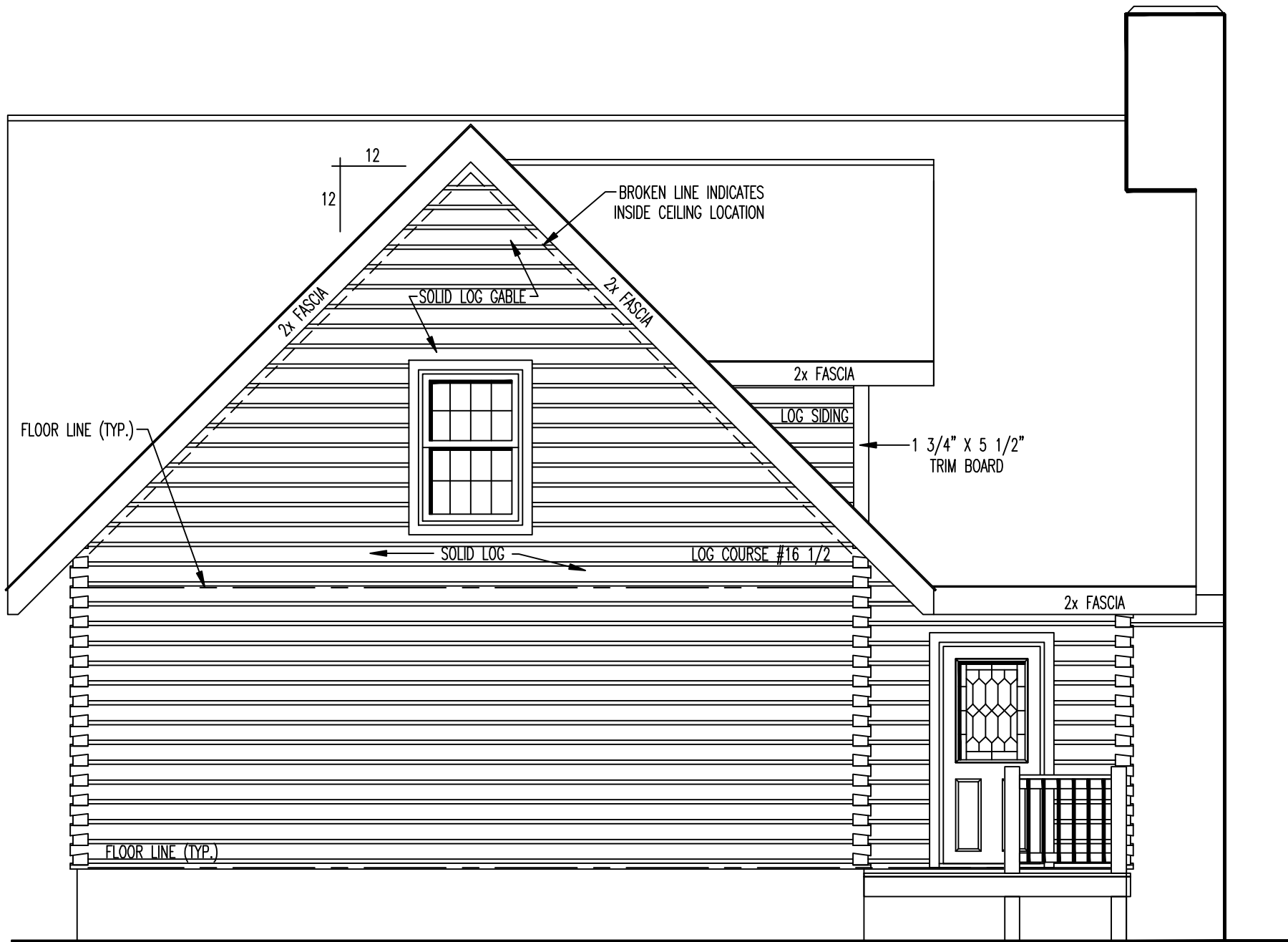
FRONT ELEVATION



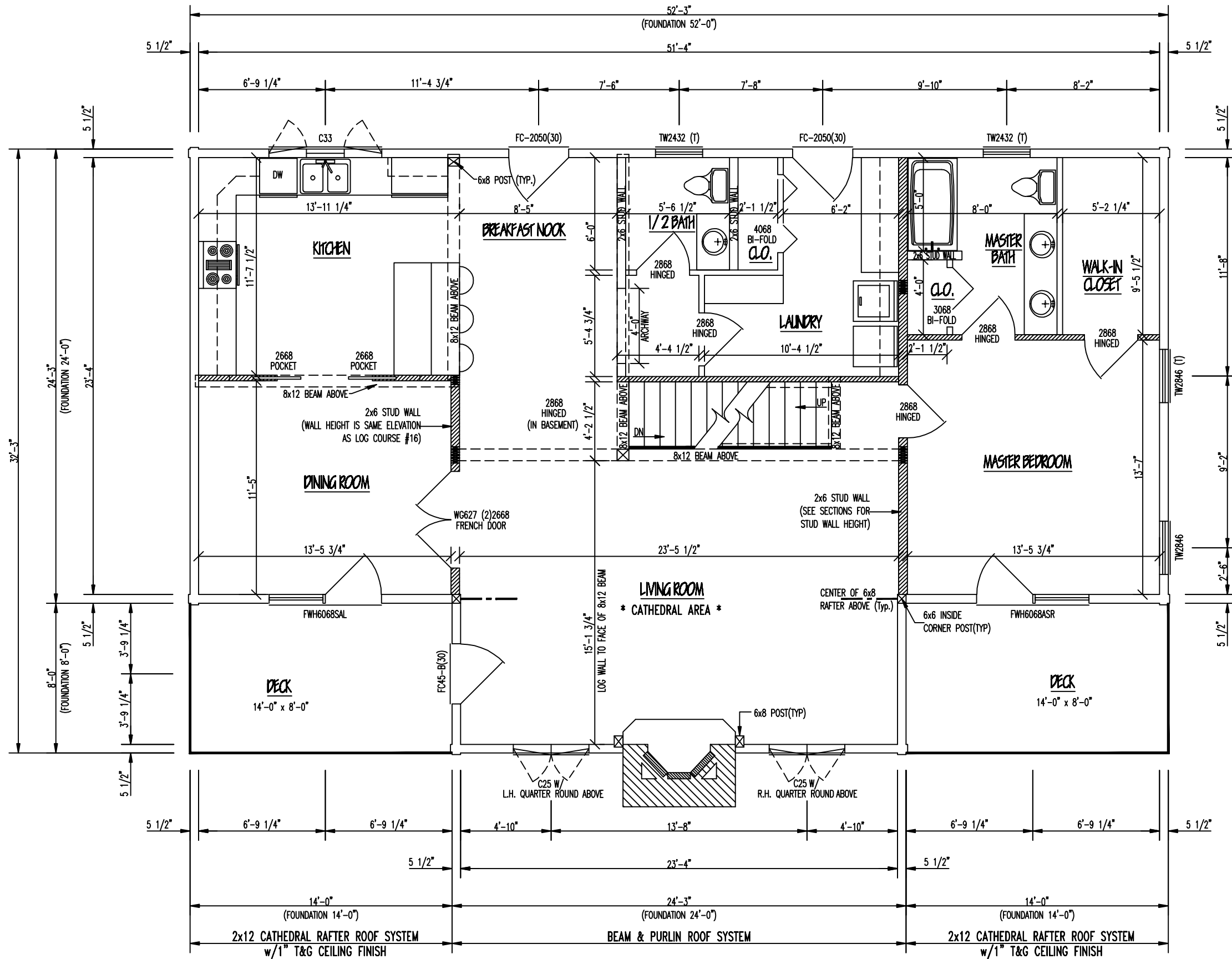
REAR ELEVATION



RIGHT ELEVATION



LEFT ELEVATION

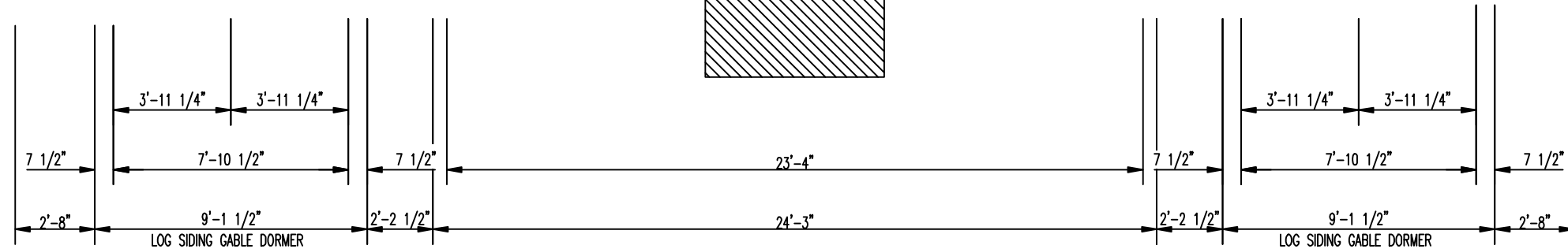
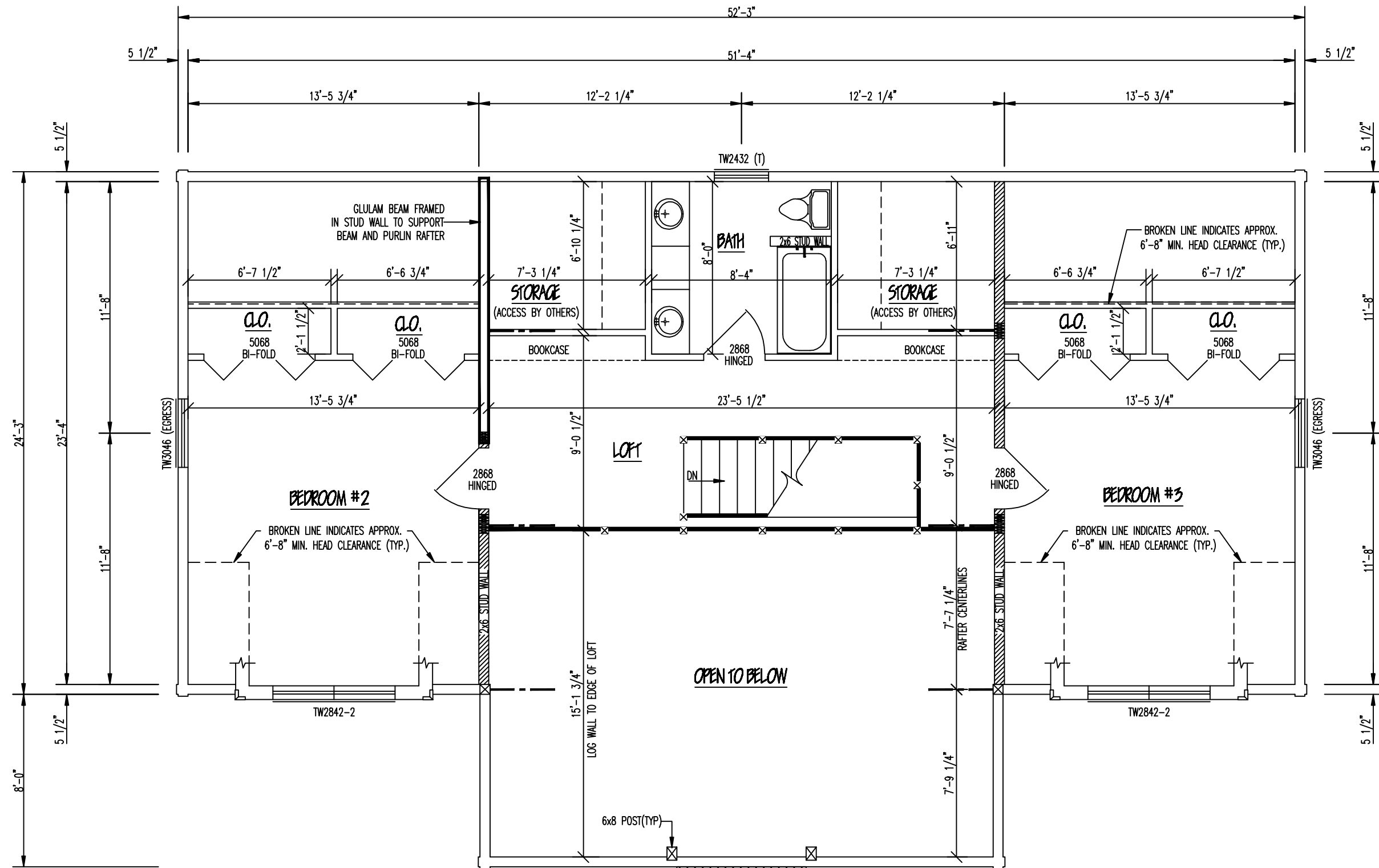


1st LEVEL FLOOR PLAN

- INDICATES BEARING WALLS
- INDICATES NON-BEARING WALLS

1ST LEVEL FLOOR SPACE = 1440 SQ. FT.

PORCH/DECK FLOOR SPACE = 224 SQ. FT.



2nd LEVEL FLOOR PLAN

2ND LEVEL FLOOR SPACE = 1027 SQ. FT.