



Timber Framed Construction: *(This construction will dictate design parameters)*

Components

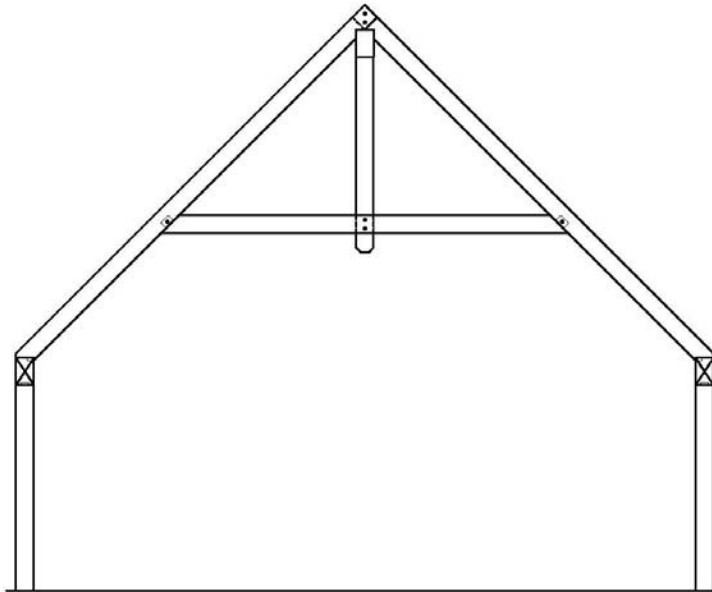
- 6x8 or 8x8 support posts
- 6x6 or 6x8 angle braces
- 6x12 or 8x12 frame / header
- 6x8 or 6x12 floor Joists
- 6x8 or 6x12 rafter roof system
- 6x8 gable trusses *(timber framed gable end trusses will be designed based on glass configuration)*
- 2x6 framed insulated (R-21) exterior walls with interior 1x8 T&G. Exterior finish materials as designated per request.
- Built up roof system with rigid insulation (R-40.6).

Joinery

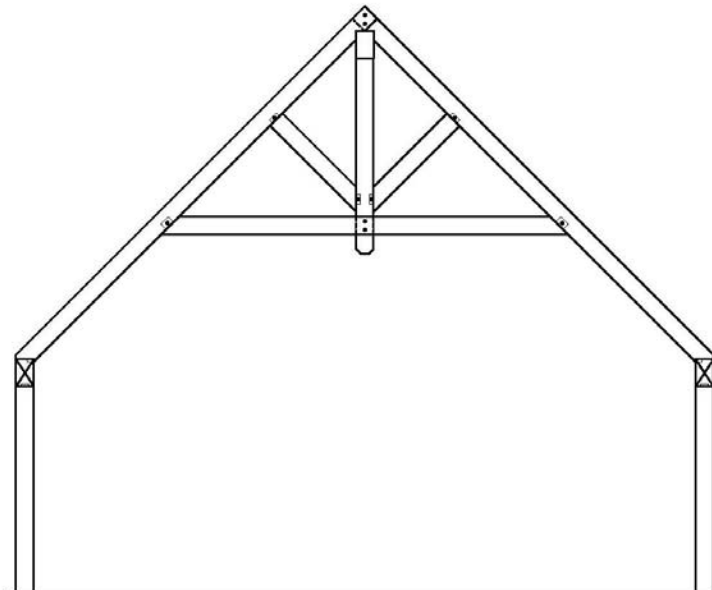
- All material to be pre-cut with Mortise & Tenon or Dovetail joinery
- Wood pegs & mechanical fasteners

Additional Options:

- SIP Panel exterior 6-1/2" walls panels (R-23) and 10-1/4" roof panels (R-38)
- Exterior finishes:
 - Log siding
 - Stone veneer
 - Cedar shakes
 - Hardie Board
 - Solid Log
 - Board & Batten

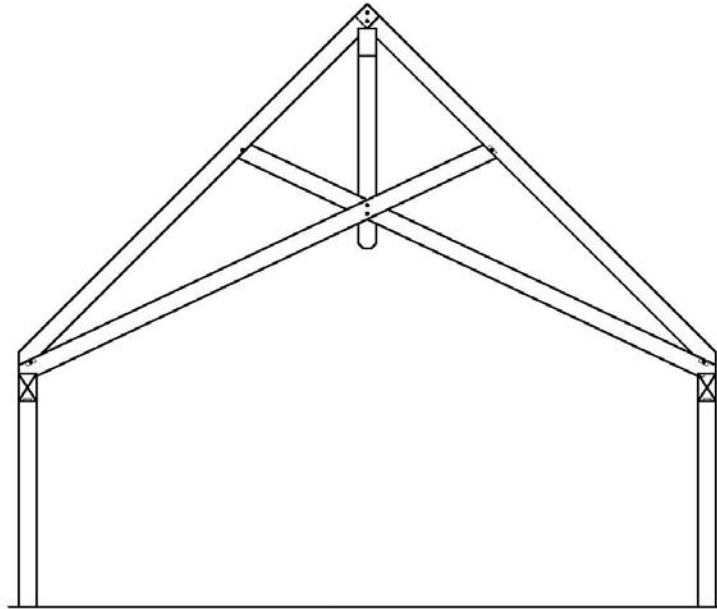


'A' TRUSS WITH KING POST
TRUSSES ARE SHOWN WITH 6X8 RAFTERS.
ANY STRUCTURES OVER 28' WIDE TO BE PRICED WITH 6X12 RAFTERS



'KING POST' TRUSS WITH KING POST & WEBBING
(May be used for Porch End Truss)
TRUSSES ARE SHOWN WITH 6X8 RAFTERS.
ANY STRUCTURES OVER 28' WIDE TO BE PRICED WITH 6X12 RAFTERS

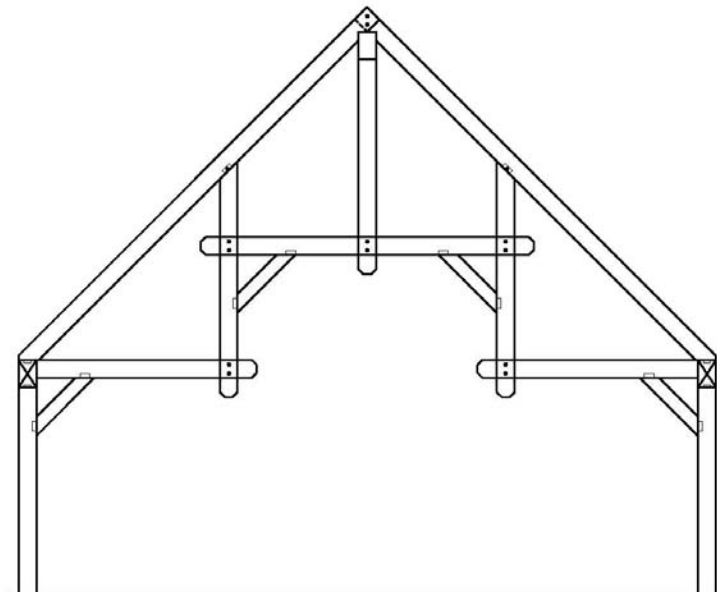
Your Dream ... Our Passion



'SCISSOR' TRUSS

TRUSSES ARE SHOWN WITH 6X8 RAFTERS.

ANY STRUCTURES OVER 28' WIDE TO BE PRICED WITH 6X12 RAFTERS



'HAMMER' TRUSS

(Primarily used for Porch End Truss)

TRUSSES ARE SHOWN WITH 6X8 RAFTERS.

ANY STRUCTURES OVER 28' WIDE TO BE PRICED WITH 6X12 RAFTERS

Your Dream ... Our Passion



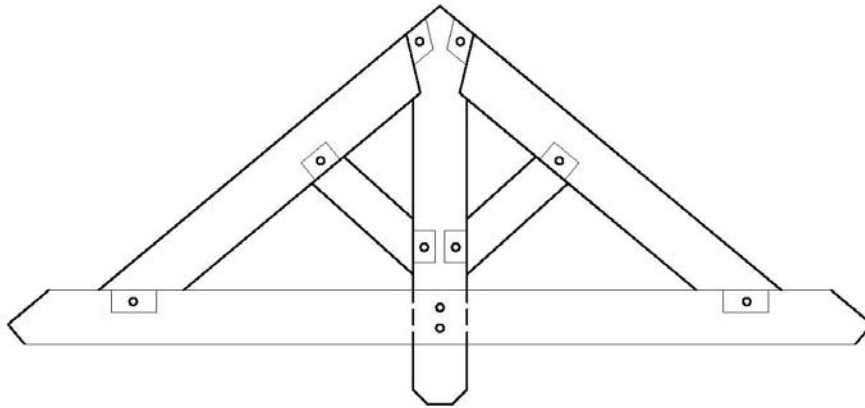
TIMBERHAVEN LOG & TIMBER HOMES, LLC

1081 Salem Church Road, Middleburg, PA 17842

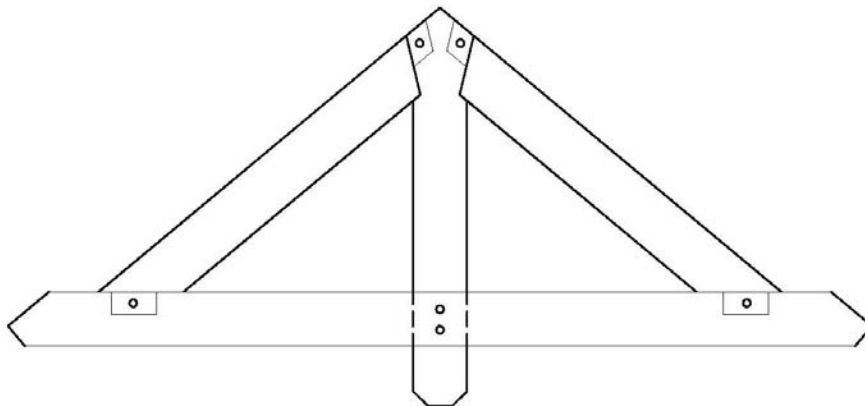
855.306.5678

www.TimberhavenLogHomes.com

www.LogHomeDesignCenter.com



OVERHANG TRUSS
STYLE 'A'



OVERHANG TRUSS
STYLE 'B'

Your Dream ... Our Passion



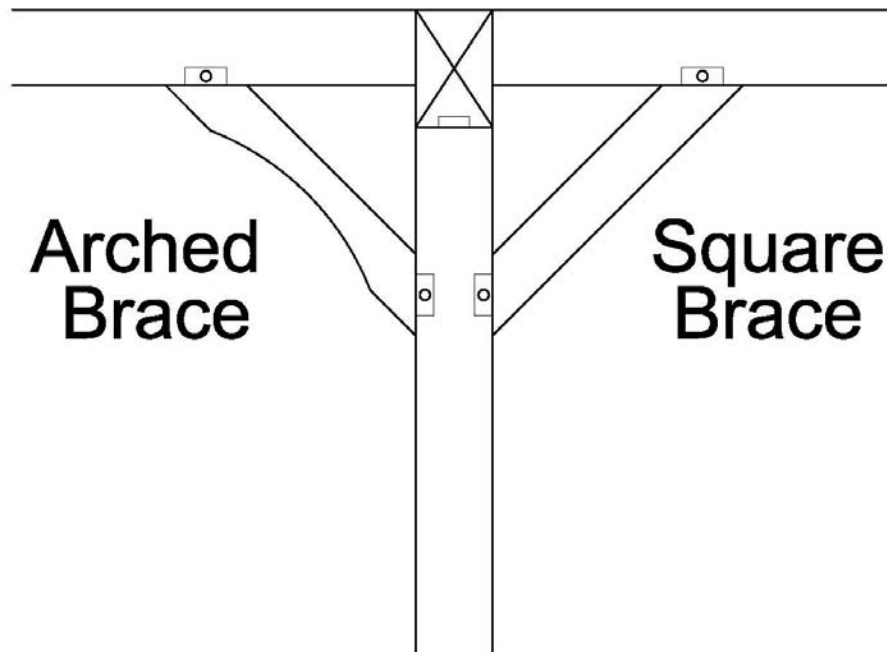
TIMBERHAVEN LOG & TIMBER HOMES, LLC

1081 Salem Church Road, Middleburg, PA 17842

855.306.5678

www.TimberhavenLogHomes.com

www.LogHomeDesignCenter.com



ANGLE BRACE OPTIONS

Your Dream ... Our Passion